

Design and Visual Communication AS 91338

Exemplar C - Merit

AS91338: Produce working drawings to communicate technical details of a design (4 credits)

Achievement	Achievement with Merit	Achievement with Excellence
Produce working drawings to communicate technical details of a design.	Produce working drawings to clearly communicate technical details of a design.	Produce working drawings to effectively communicate technical details of a design.
Produce a set of related 2D instrumental working drawings that communicate technical details showing complex visual information.	Produce a set of working drawings that clearly communicate technical details showing complex visual information.	Produce a coherent set of working drawings that effectively communicate technical details showing complex visual information.
Demonstrate an ability to use drawing conventions in a working drawing.	Demonstrate an ability to apply drawing conventions appropriately to working drawings.	Demonstrate an ability to apply drawing conventions appropriately to working drawings.

M

Comments:

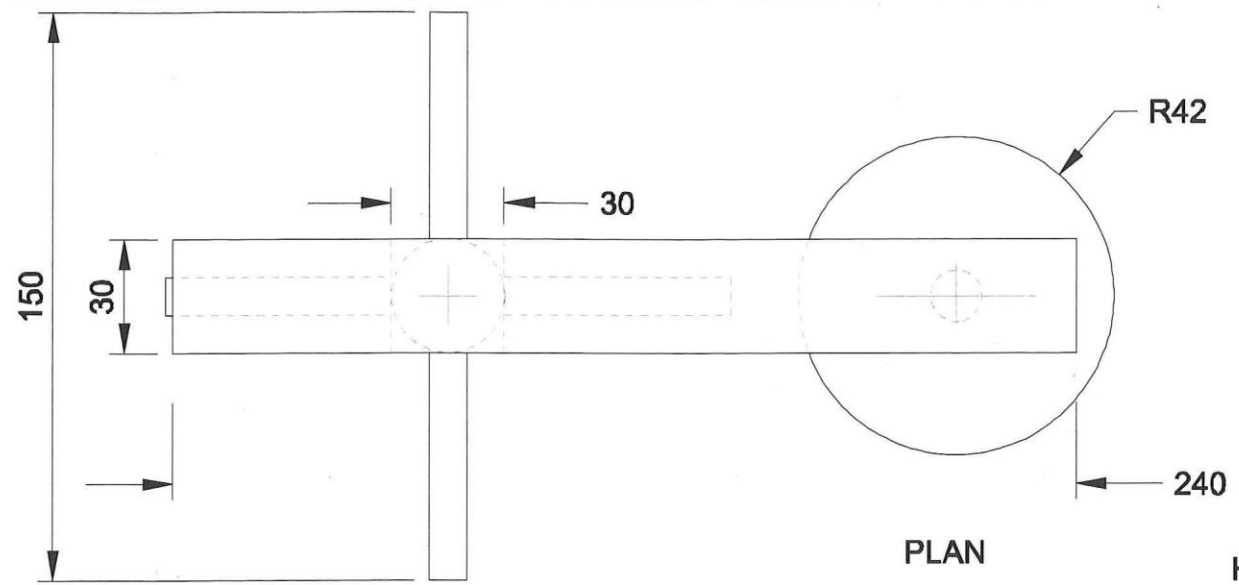
A set of 2-D working drawings has been produced that clearly communicates complex visual information. The drawing shows a plan view, sectional elevation and an end elevation.

To communicate the technical details effectively the fittings and assembly points need to be shown in more detail eg: accompany these drawings with details drawn to a larger scale. This would allow the set of drawings to communicate the technical details more effectively.

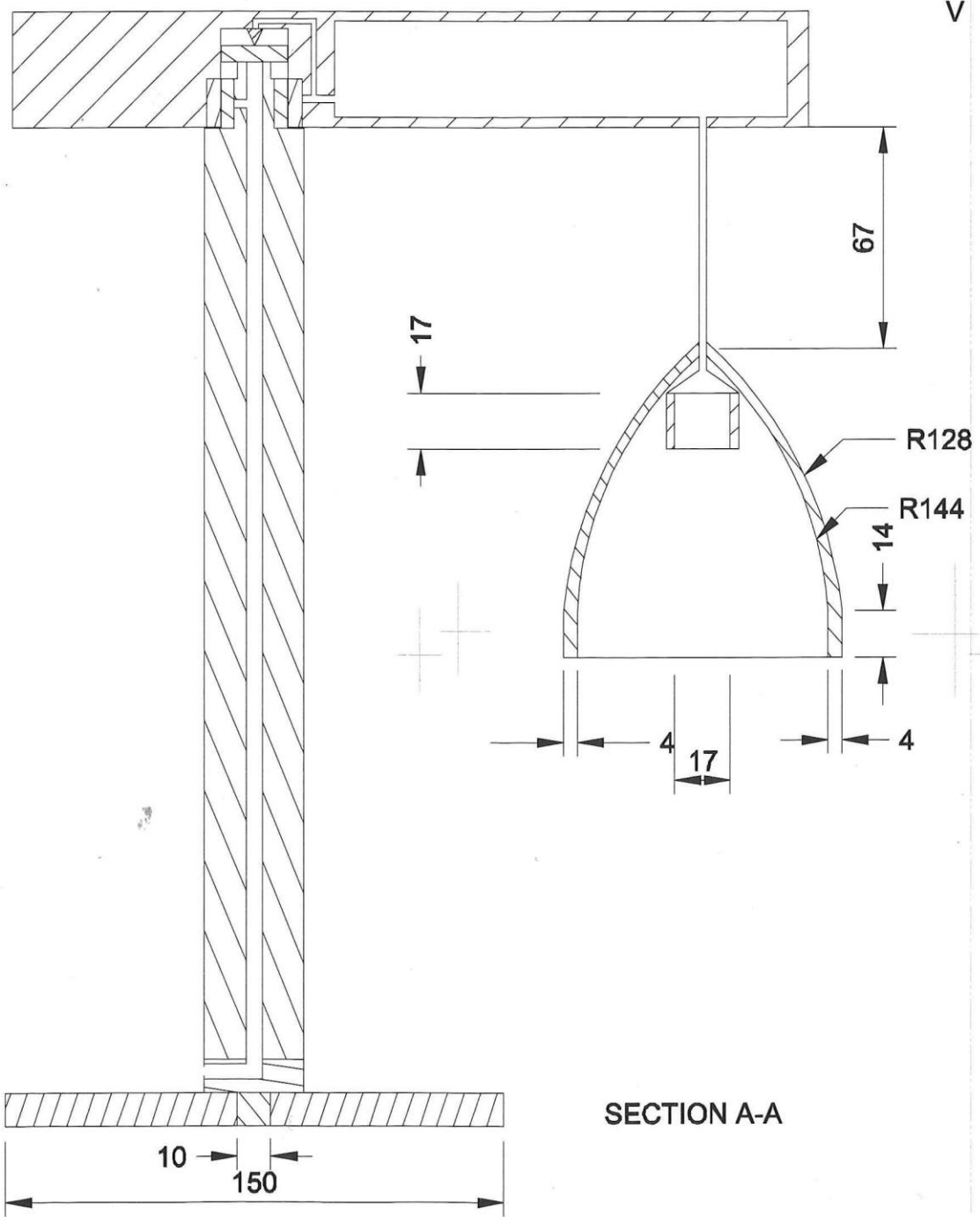
All the drawings are referenced and linked to one another.

Conventions are shown correctly and enough are applied appropriately for this type of drawing.

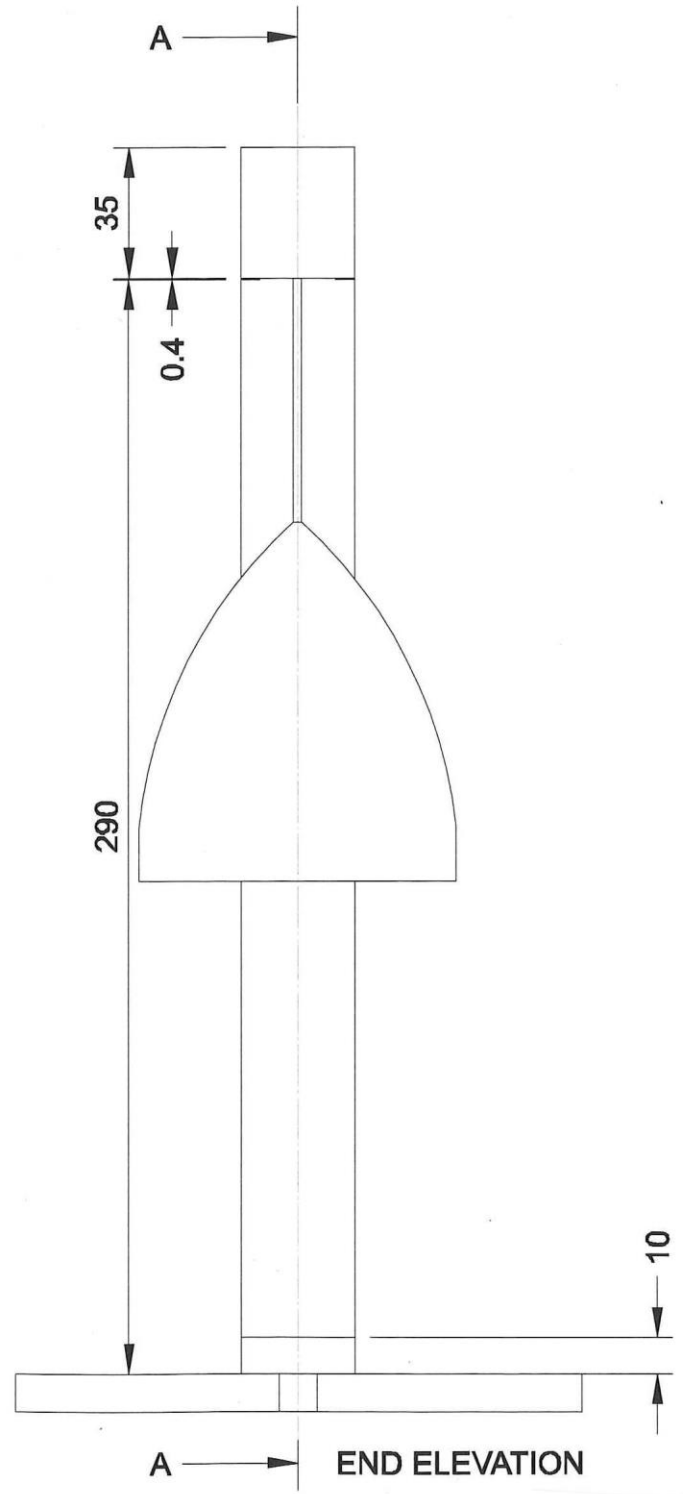
The drawing is drawn to a standard scale of 1:2.



PLAN



SECTION A-A



END ELEVATION

LAMP ORTHOGRAPHIC

SCALE: 1:2

