

Design and Visual Communication

AS 91338

Exemplar F – Not Achieve

AS91338: Produce working drawings to communicate technical details of a design (4 credits)

Achievement	Achievement with Merit	Achievement with Excellence
Produce working drawings to communicate technical details of a design.	Produce working drawings to clearly communicate technical details of a design.	Produce working drawings to effectively communicate technical details of a design.
Produce a set of related 2D instrumental working drawings that communicate technical details showing complex visual information.	Produce a set of working drawings that clearly communicate technical details showing complex visual information.	Produce a coherent set of working drawings that effectively communicate technical details showing complex visual information.
Demonstrate an ability to use drawing conventions in a working drawing.	Demonstrate an ability to apply drawing conventions appropriately to working drawings.	Demonstrate an ability to apply drawing conventions appropriately to working drawings.

N

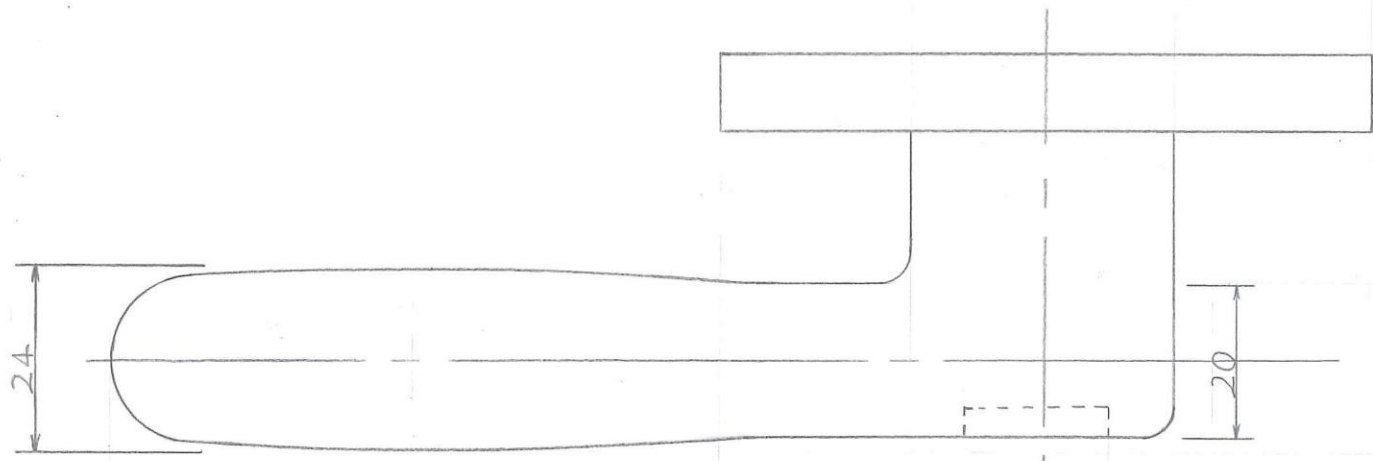
COMMENT:

A set of interconnected 2D instrumental working drawings has been produced through projection. These views show hidden detail on all three views. However there are insufficient drawings to communicate technical details to show how this works or fits together.

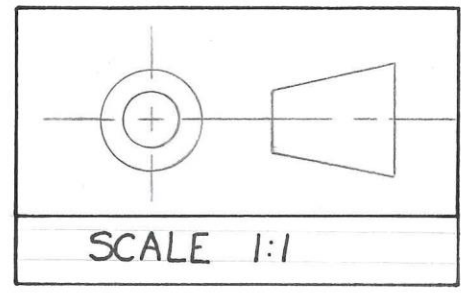
To communicate technical details to show more complex visual information, drawings such as a cross section showing details of the fitting and assembly of the handle need to be added to this set of drawings for it to achieve.

Conventions are shown and are applied appropriately for this type of drawing.

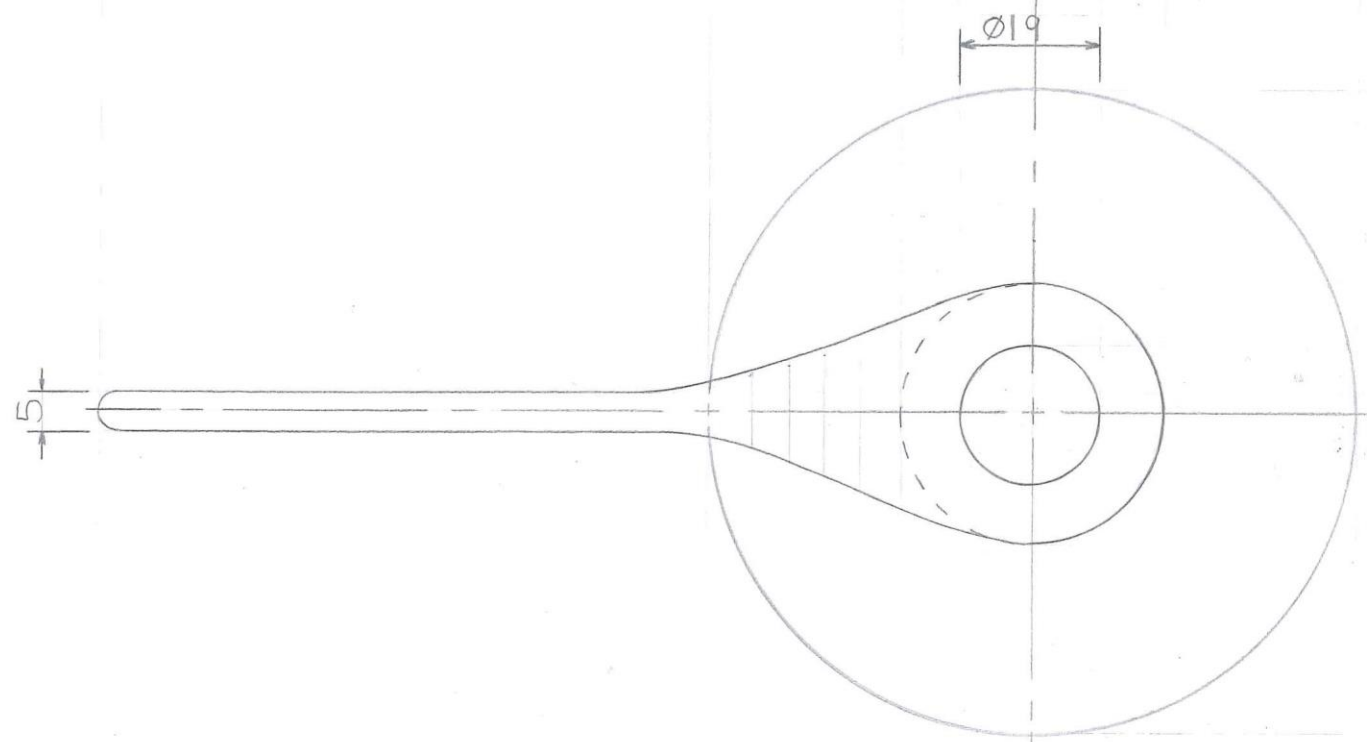
The drawings have been drawn using a standard scale: 1:1.



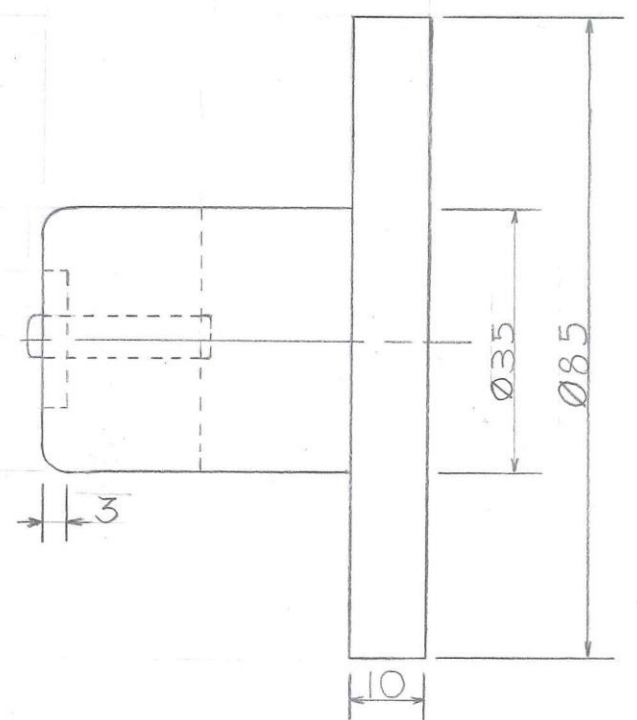
PLAN



I
V | VR



MAIN ELEVATION



RIGHT-SIDE ELEVATION

NZQA Assessec