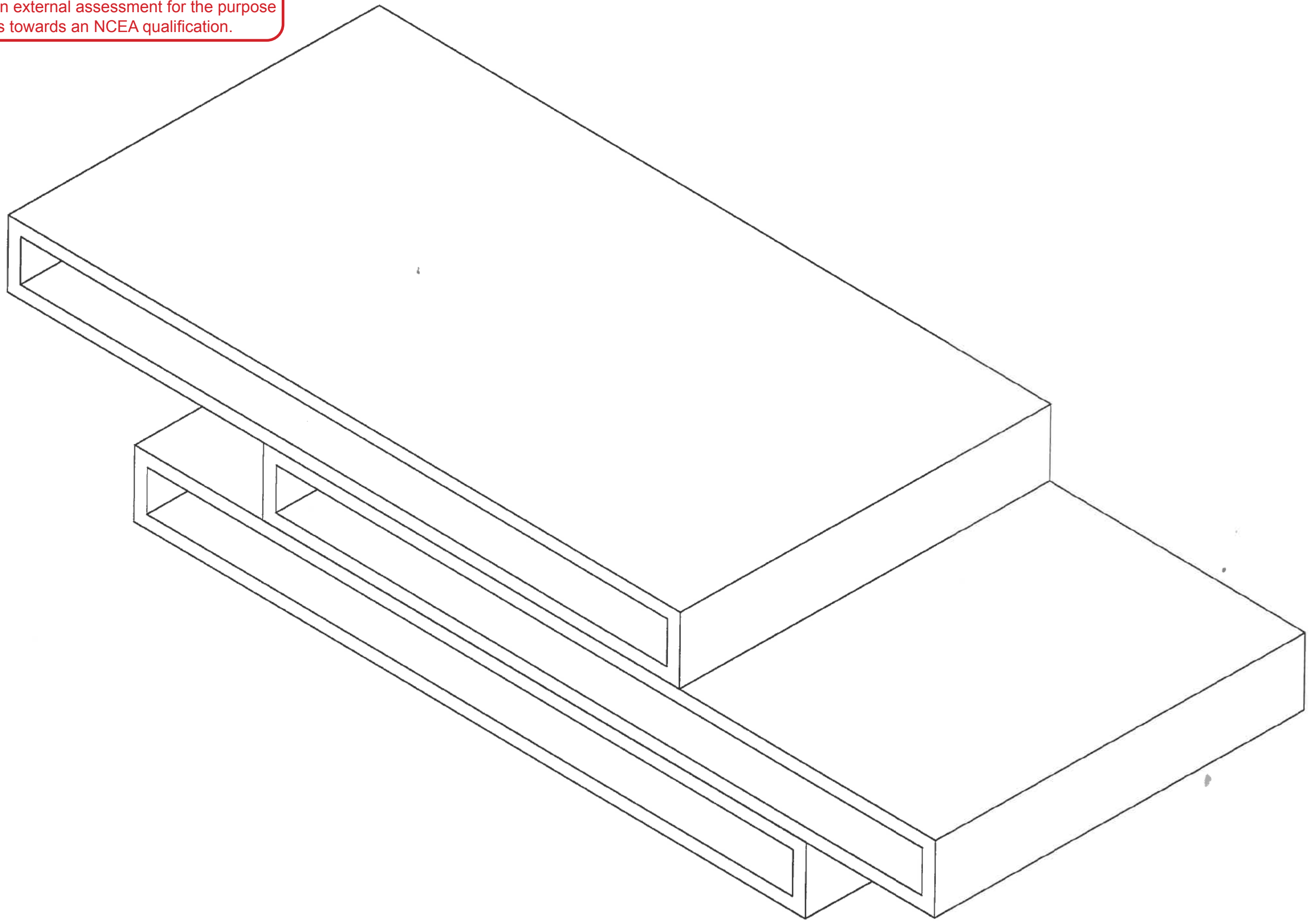


No part of the candidate evidence in this exemplar material may be presented in an external assessment for the purpose of gaining credits towards an NCEA qualification.

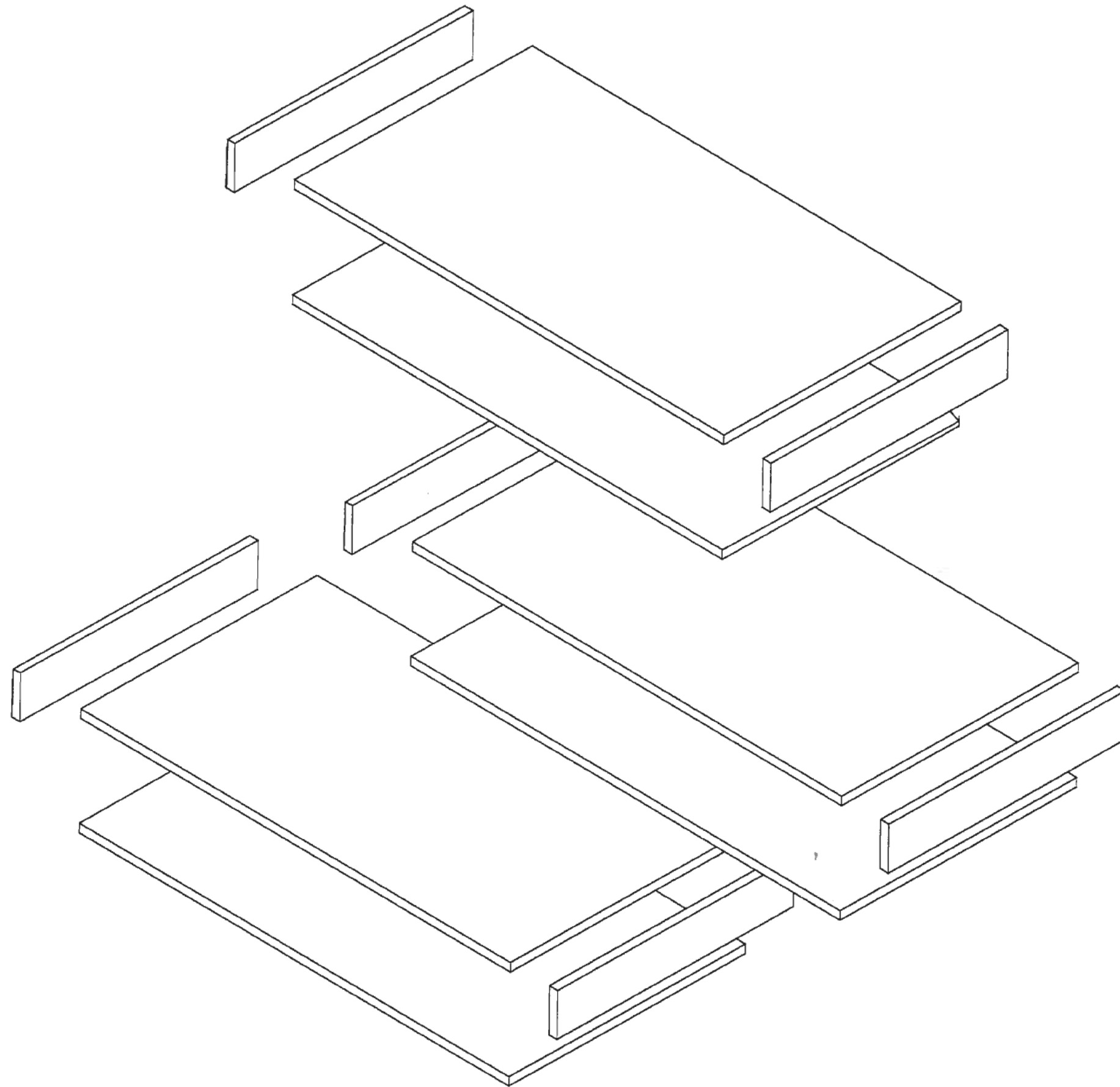


ISOMETRIC

DWG 1 OF 2

SCALE 1:1

18/8/17



EXPLODED ISOMETRIC

DWG 2 OF 2

SCALE 1:1

20/10/17

Level 1 Design and Visual Communication

91065: Produce instrumental paraline drawings to communicate design ideas

Exemplar for Achievement

This submission communicates an isometric view of a coffee table.

Software used to construct this drawing has had appropriate construction axes and line weight set.

The second sheet shows an exploded view of the table, from the same viewpoint. This does not communicate substantially more information than the original drawing.

This submission could have been strengthened by using an alternative viewpoint for the second drawing and / or showing additional construction or assembly information.