

No part of the candidate's evidence in this exemplar material may be presented in an external assessment for the purpose of gaining an NZQA qualification or award.



Mana Tohu Mātauranga o Aotearoa
New Zealand Qualifications Authority

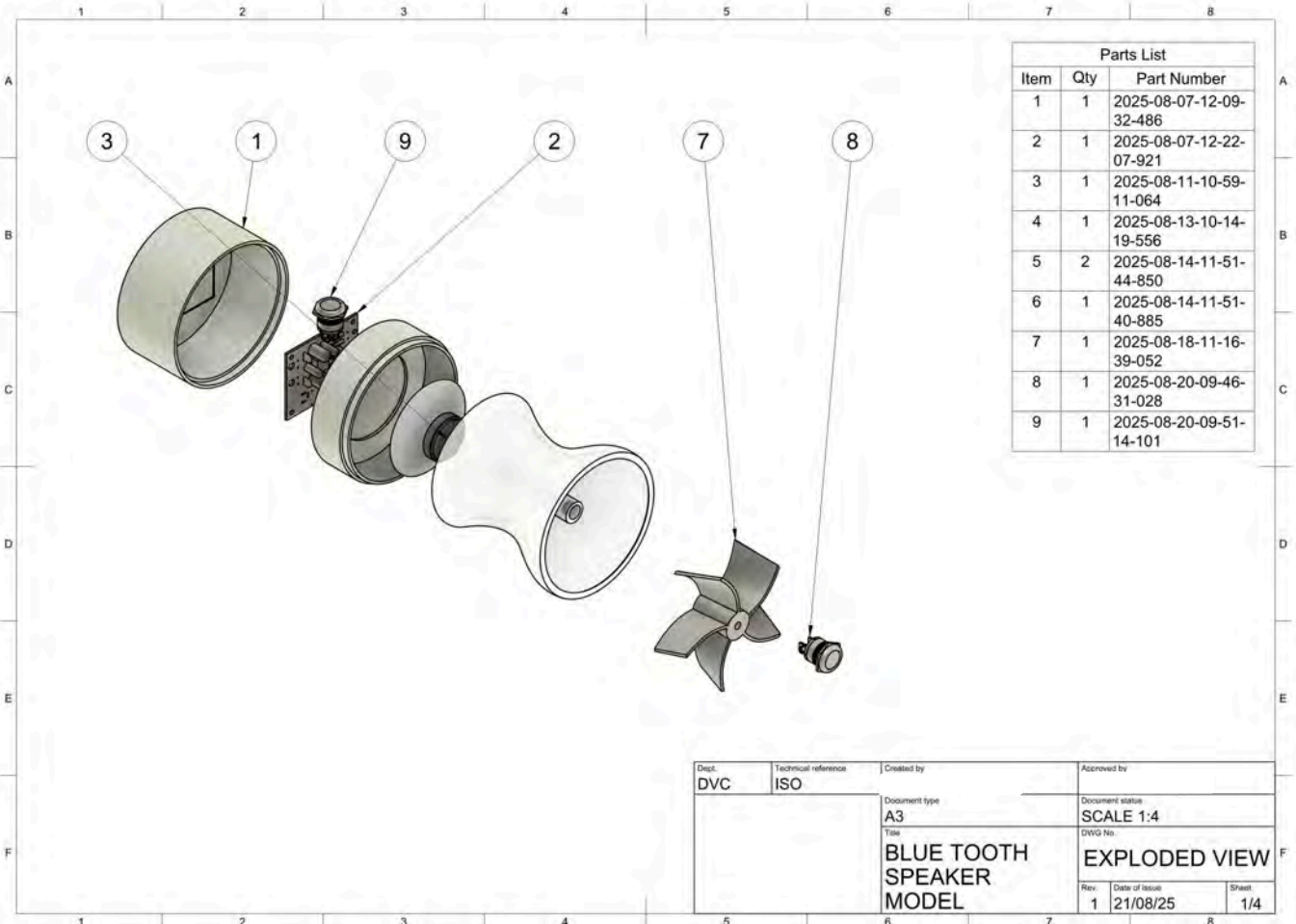
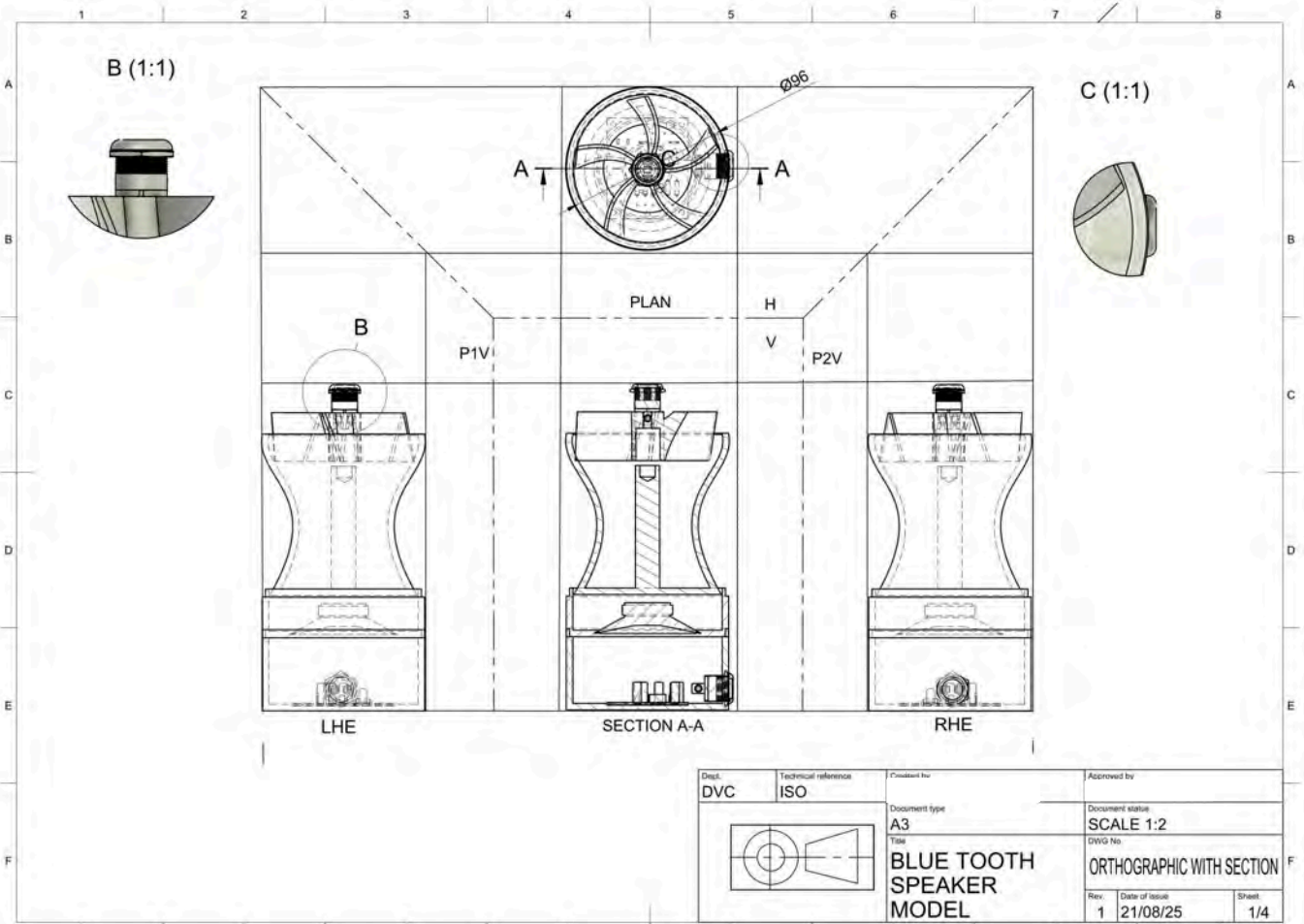
Level 1 Design and Visual Communication 2025

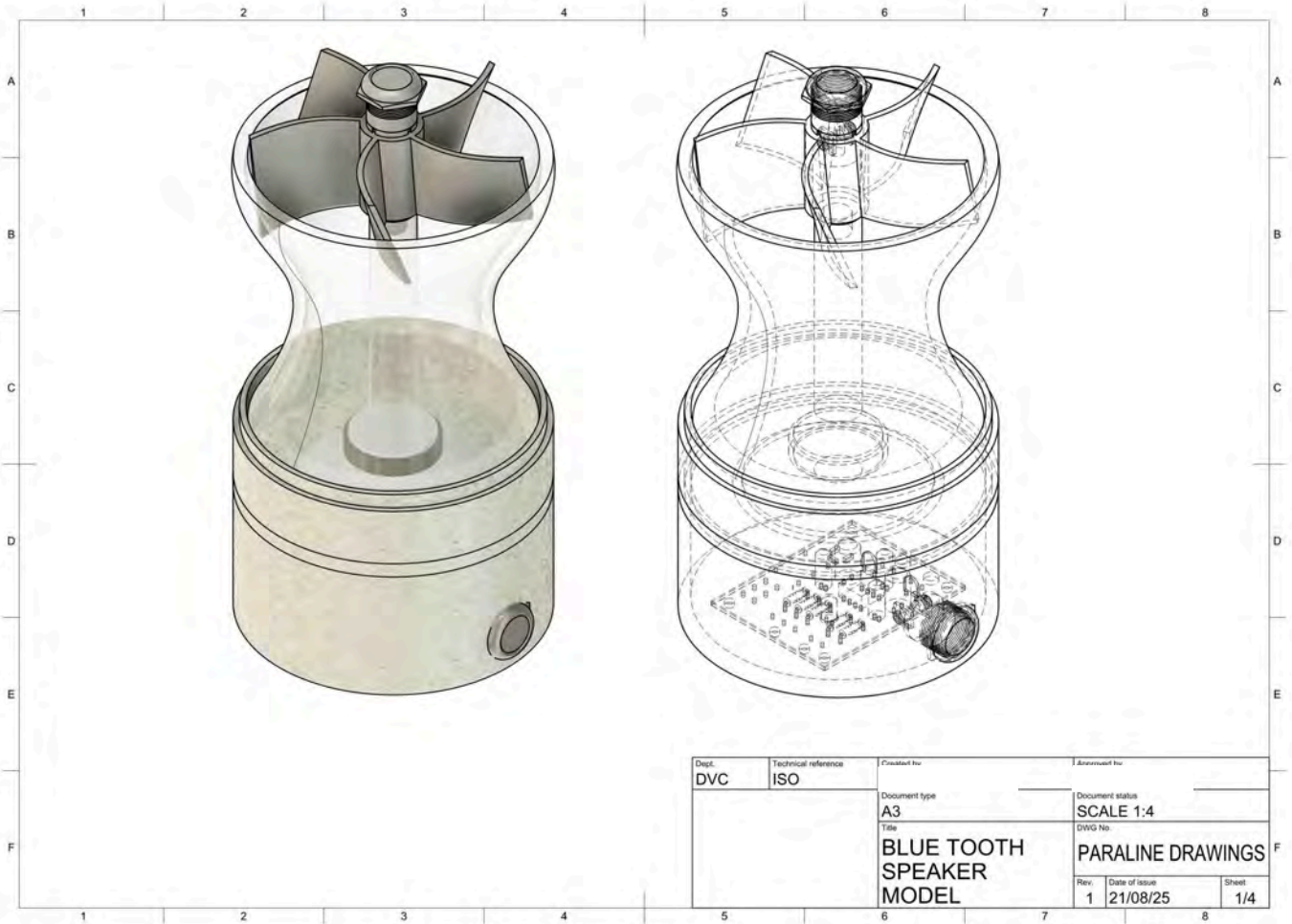
**92003 Use instrumental drawing techniques to
communicate own product or spatial design
outcome**

EXEMPLAR

Excellence

TOTAL 08





Dept. DVC	Technical reference ISO	Created for	Approved for
		Document type A3	Document status SCALE 1:4
		Title BLUE TOOTH SPEAKER MODEL	DWG No. PARALINE DRAWINGS
		Rev: 1	Date of issue: 21/08/25
			Sheet: 1/4

Excellence

Subject: Design and Visual Communication

Standard: 92003

Total score: 08

Marker commentary

This submission is a CAD drawing of a Bluetooth speaker. The title block, scale, symbol, and titles are all appropriate. The candidate has used hidden detail lines to show interior aspects, and they are thin enough to distinguish the various parts of the product. The exploded view further clarifies the construction of the design and various components. The detail of the lip of the bases and the thread inside the central component shows precise understanding of how the parts will fit together. The choice of angle of the paraline drawings allows good views of the design details.