

No part of the candidate's evidence in this exemplar material may be presented in an external assessment for the purpose of gaining an NZQA qualification or award.



Mana Tohu Mātauranga o Aotearoa
New Zealand Qualifications Authority

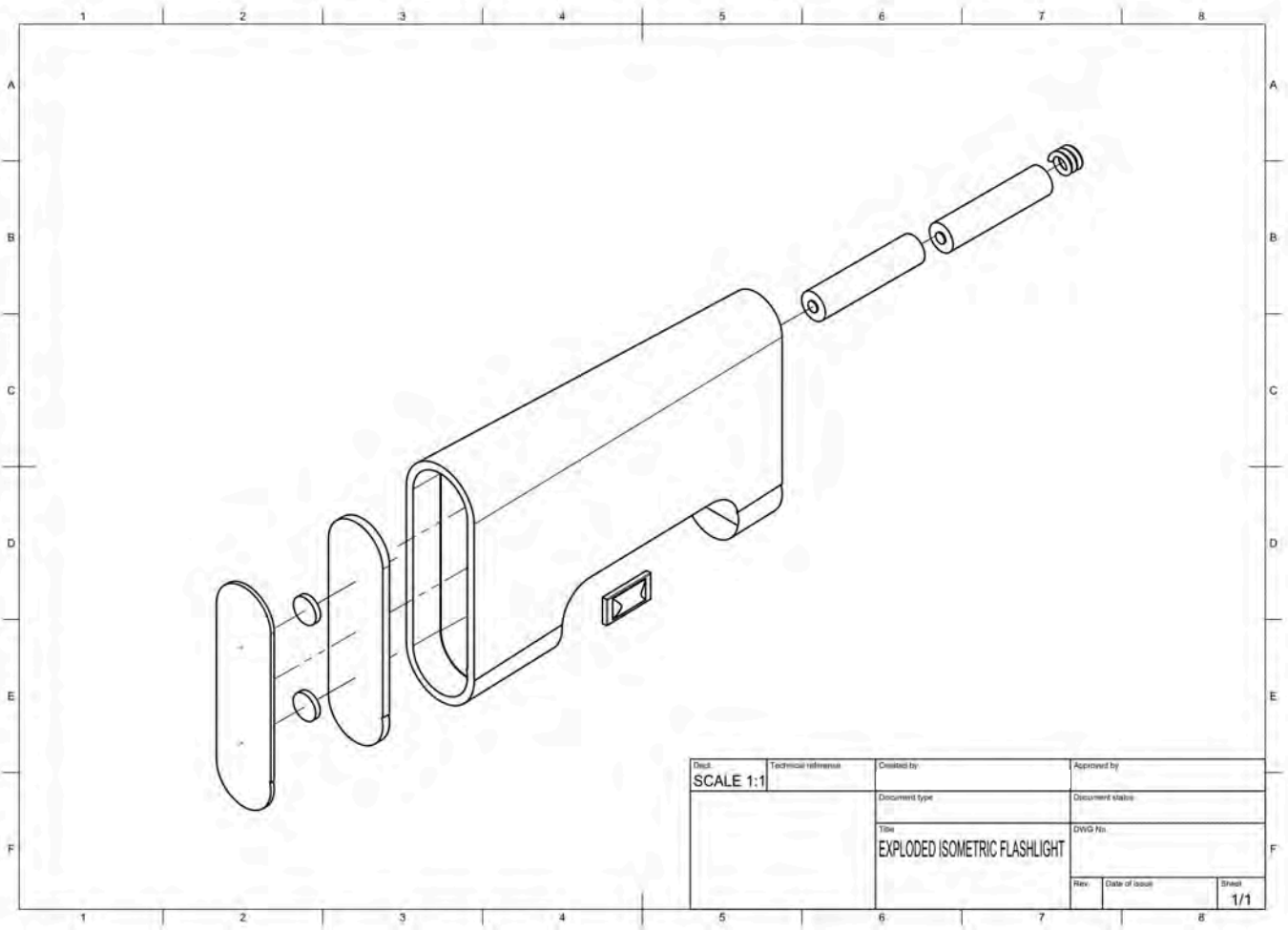
Level 1 Design and Visual Communication 2025

**92003 Use instrumental drawing techniques to
communicate own product or spatial design
outcome**

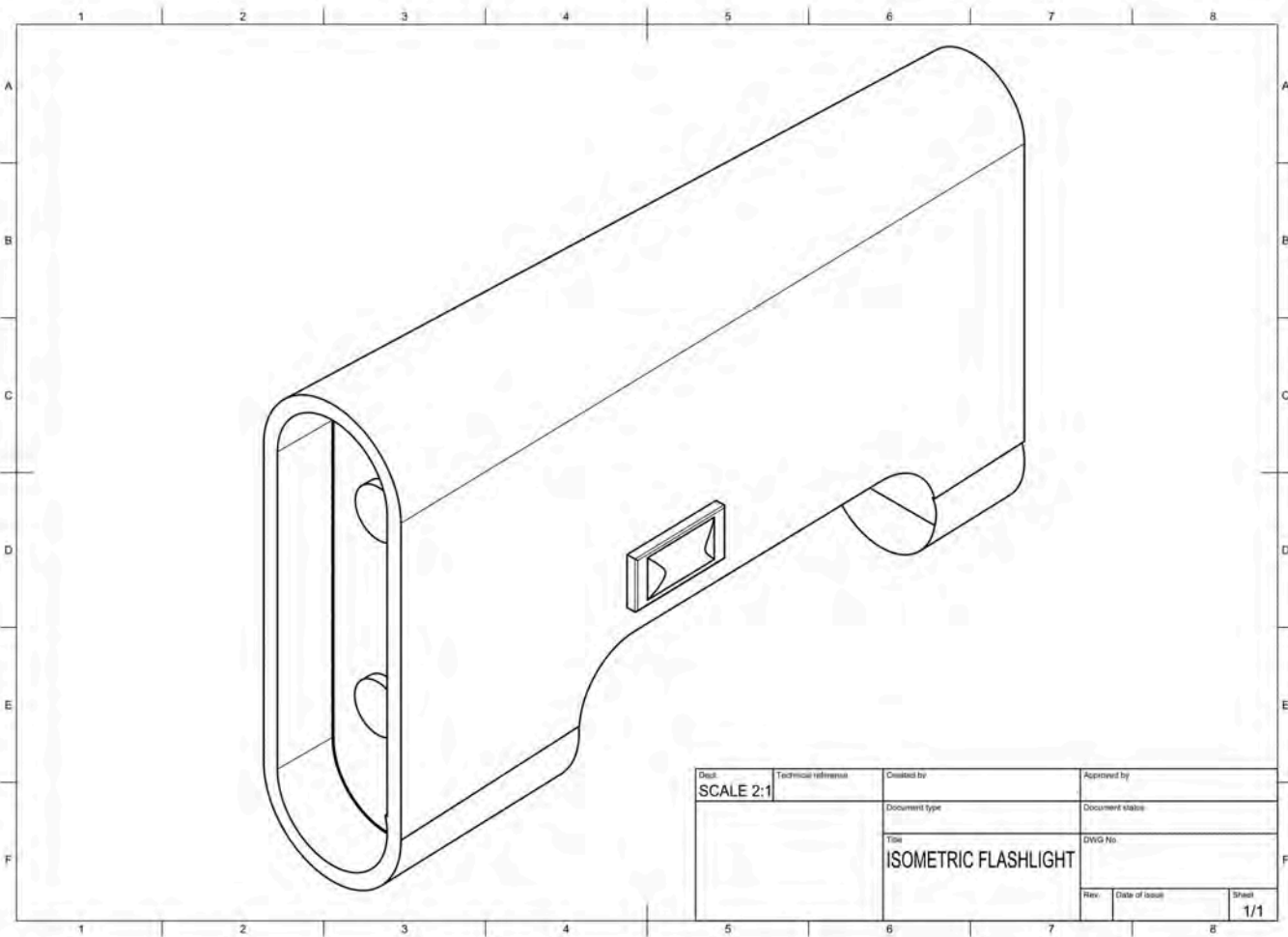
EXEMPLAR

Merit

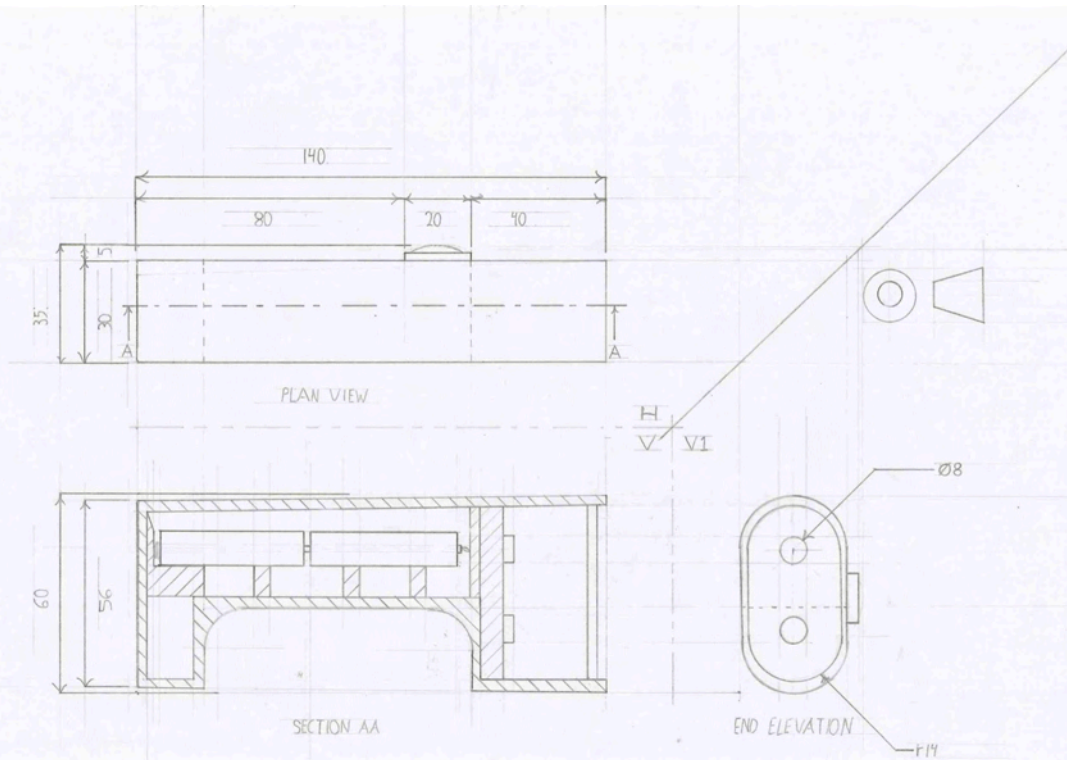
TOTAL 05



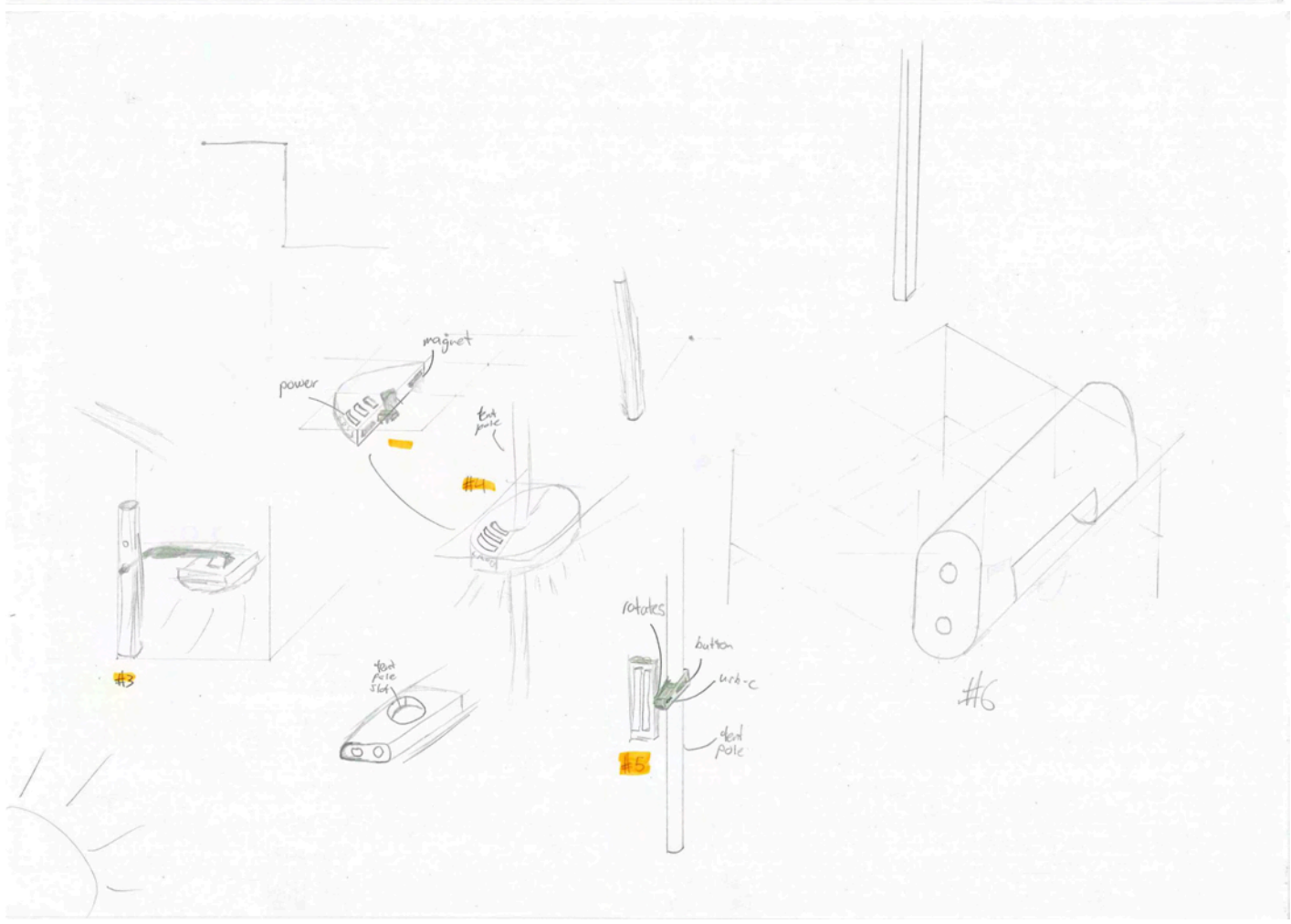
Desk:	Technical reference:	Created by:	Approved by:
SCALE 1:1			
		Document type:	Document status:
		Title:	DWG No.:
		EXPLODED ISOMETRIC FLASHLIGHT	
		Rev.:	Date of issue:
			Sheet:
			1/1



Desk: SCALE 2:1	Technical reference	Created by	Approved by
		Document type	Document status
		Title ISOMETRIC FLASHLIGHT	DWG No.
		Rev.	Date of issue
			Sheet 1/1



1.8 · 0.8 · 25	SCALE 1:1	SECTIONED THIRD ANGLE ORTHOGRAPHIC - FLASHLIGHT	
----------------	-----------	---	--



Merit

Subject: Design and Visual Communication

Standard: 92003

Total score: 05

Marker commentary

This submission is a mixture of CAD and hand drawn instrumental drawings of a torch. Use of title blocks, scale, titles, and symbol are all correct. Section line is correctly applied, and section shows the various components but not precise detail. Similarly, the exploded CAD version shows the same components but not enough detail to gain an Excellence grade.