

National Certificate in Agrichemical Application with strands in Livestock External Parasites, Total Vegetation Control, Aquatic, Broadacre, and Brush

Level 3 or 4

Credits 79-105

Purpose

This qualification is for people who work in specialist areas of agrichemical application. This qualification may follow on from the National Certificate in Rural Contracting (Introductory Skills) [Ref: 0228] and people completing it may choose to progress to the National Certificate in Rural Contracting (Management) with the strand in Agrichemical Application [Ref: 1003].

People awarded this qualification are able to demonstrate general knowledge of agrichemicals. The compulsory section includes specific knowledge of safety, environmental, NZS 8409:2004, and local body accountability requirements relating to agrichemicals and their application. They are able to conduct first aid, safely transport and apply agrichemicals, and manage agrichemicals in accordance with NZS 8409:2004 and the Hazardous Substances and New Organisms Act 1996 (HSNO). The elective section enables candidates to select and demonstrate agrichemical application-related knowledge and skills suited to their particular situation.

The holder must be able to demonstrate additional competence in one or more of the following specialist areas:

- Livestock external parasite control
- Total vegetation control
- Aquatic application
- Broadacre application
- Brush application.

Special Notes

Candidates who achieve credit for standards 21563 and 21564 may be eligible for Approved Handler test certification. Approved Handler test certificates are issued only by Test Certifiers appointed under Hazardous Substances and New Organisms Act 1996 (HSNO) legislation. For further information contact the Environmental Risk Management Authority (ERMA), telephone 0800ermanz, or go to <http://www.ermanz.govt.nz>.

This qualification, if accompanied by a minimum of 200 hours practical agrichemical application experience, is recognised by the NZ Agrichemical Education Trust (NZAET) as the pre-requisite for the GROWSAFE® Registered Chemical Applicators Certificate. For detailed information see <http://www.growsafe.co.nz/>.

Credit Range

	Compulsory	Elective
Level 1 credits	1	0-2
Level 2 credits	8	0-6
Level 3 credits	26	0-6
Level 4 credits	26	0-6
Minimum totals	61	6

	Livestock External Parasites Strand	Total Vegetation Control Strand	Aquatic Strand
Level 3 credits	-	6	6
Level 4 credits	20	20	20
Minimum totals	20	26	26
Total with strand	87	93	93
Level of qualification	4	4	4

	Broadacre Strand	Brush Strand
Level 3 credits	-	12
Level 4 credits	38	-
Minimum totals	38	12
Total with strand	105	79
Level of qualification	4	3

Requirements for Award of Qualification

Award of NZQF Qualifications

Credit gained for a standard may be used only once to meet the requirements of this qualification.

Unit standards and achievement standards that are equivalent in outcome are mutually exclusive for the purpose of award. The table of mutually exclusive standards is provided in section 7 of the New Zealand Qualifications Authority (NZQA) *Rules and Procedures* publications available at <http://www.nzqa.govt.nz/ncea/acrp/index.html>.

Reviewed standards that continue to recognise the same overall outcome are registered as new versions and retain their identification number (ID). Any version of a standard with the same ID may be used to meet qualification requirements that list the ID and/or that specify the past or current classification of the standard.

Summary of Requirements

- Compulsory standards
- Elective – A minimum of 6 credits as specified

One of the following strands is required

- Livestock External Parasites Strand
- Total Vegetation Control Strand
- Aquatic Strand
- Broadacre Strand
- Brush Strand

Detailed Requirements

Compulsory

The following standards are required

Agriculture, Forestry and Fisheries > Agriculture > Agrichemical Supply

ID	Title	Level	Credit
21544	Demonstrate knowledge of the environmental aspects of agrichemical use	3	6

Agriculture, Forestry and Fisheries > Pest Management > Pest Control

ID	Title	Level	Credit
21554	Demonstrate knowledge of safety with agrichemicals	2	3
21560	Demonstrate knowledge of agrichemicals	3	6
21563	Demonstrate knowledge of the HSNO Act, and NZS 8409:2004 for the use of agrichemicals	3	5
21564	Prepare to apply, and apply, agrichemicals	3	5
21565	Manage agrichemicals in accordance with NZS 8409:2004	4	10

Agriculture, Forestry and Fisheries > Rural Contracting > Agrichemical Application

ID	Title	Level	Credit
6245	Transport agrichemical concentrates by road and develop an emergency procedure guide	4	8
6246	Drive application equipment carrying diluted agrichemicals and develop an emergency procedure guide	4	8
17232	Determine application rates for agrichemicals	3	4

Agriculture, Forestry and Fisheries > Rural Contracting > Agricultural Contracting

ID	Title	Level	Credit
19578	Describe and maintain health and safety in an agricultural contracting workplace	2	4

Health > Health Studies > Core Health

ID	Title	Level	Credit
6401	Provide first aid	2	1
6402	Provide resuscitation level 2	1	1

Elective

A minimum of 6 credits

Agriculture, Forestry and Fisheries > Agriculture > Agrichemical Supply

ID	Title	Level	Credit
21551	Demonstrate knowledge of integrated pest management (IPM) for agrichemical supply	3	3

Agriculture, Forestry and Fisheries > Agriculture > Agricultural Vehicles and Machinery

ID	Title	Level	Credit
24552	Check and drive a basic wheel tractor with an attached implement on flat terrain	2	5

Agriculture, Forestry and Fisheries > Agriculture > General Agriculture

ID	Title	Level	Credit
20798	Describe and use a Global Positioning System (GPS) for a specified agricultural activity	3	2

Agriculture, Forestry and Fisheries > Rural Contracting > Agrichemical Application

ID	Title	Level	Credit
6238	Operate a knapsack motorised mist blower for agrichemical application	3	6
6241	Use a wiper type applicator for agrichemical application	2	2
6242	Prepare to apply, and apply, agrichemicals to crops by band spraying	4	10

Agriculture, Forestry and Fisheries > Rural Contracting > Agricultural Contracting

ID	Title	Level	Credit
6255	Drive a wheel tractor towing a heavy load	3	3

Engineering and Technology > Civil Plant Operation and Management > Civil Plant Operation

ID	Title	Level	Credit
6469	Maintain small plant and equipment on civil construction works	1	2
20627	Describe the prevention of immobilisation and the recovery of immobilised machines	2	2

Health > Health Studies > Core Health

ID	Title	Level	Credit
6400	Manage first aid in emergency situations	3	2

Service Sector > Commercial Road Transport > Heavy Haulage

ID	Title	Level	Credit
23436	Demonstrate knowledge of the self-supervision requirements for overweight vehicles crossing bridges	4	4

Service Sector > Driving > Driver Licence Endorsements

ID	Title	Level	Credit
16701	Demonstrate knowledge and skills for driving on a road for endorsement W (wheels)	3	3
16718	Demonstrate knowledge of law and practice for the transport of Dangerous Goods by road	3	5

Service Sector > Driving > Specialist Driving Knowledge and Skills

ID	Title	Level	Credit
17978	Operate a light four wheel drive (4WD) vehicle in an off-road environment	3	4

Livestock External Parasites Strand

The following standard is required

Agriculture, Forestry and Fisheries > Rural Contracting > Agrichemical Application

ID	Title	Level	Credit
6247	Prepare to apply, and apply, agrichemicals for external parasite control in livestock	4	20

Total Vegetation Control Strand

The following standards are required

Agriculture, Forestry and Fisheries > Rural Contracting > Agrichemical Application

ID	Title	Level	Credit
6236	Operate a boom or band sprayer for agrichemical application	4	10
6237	Operate a handgun sprayer for agrichemical application	3	6
6239	Prepare to apply, and apply, agrichemicals for total vegetation control	4	10

Aquatic Strand

The following standards are required

Agriculture, Forestry and Fisheries > Rural Contracting > Agrichemical Application

ID	Title	Level	Credit
6236	Operate a boom or band sprayer for agrichemical application	4	10

ID	Title	Level	Credit
6237	Operate a handgun sprayer for agrichemical application	3	6
6240	Prepare to apply, and apply, agrichemicals to control aquatic weeds	4	10

Broadacre Strand

The following standards are required

Agriculture, Forestry and Fisheries > Rural Contracting > Agrichemical Application

ID	Title	Level	Credit
6236	Operate a boom or band sprayer for agrichemical application	4	10
23619	Describe pests in crops and pasture and agrichemicals for their control	4	12
23620	Prepare to apply, and apply, agrichemicals to control pests in crops or pasture	4	16

Brush Strand

The following standards are required

Agriculture, Forestry and Fisheries > Rural Contracting > Agrichemical Application

ID	Title	Level	Credit
6237	Operate a handgun sprayer for agrichemical application	3	6
23617	Prepare to apply, and apply, agrichemicals to control brush weeds	3	6

Transition Arrangements

Version 5

Version 5 was republished to add reverse transition arrangements for expired standard 21564 – see table below.

Version 5 was issued following revision of the qualification to include a unit standard that is essential for some work situations and to correct the prerequisite diagram.

Changes to structure and content

- The credit range table was updated.
- The level of compulsory standard 21544 was decreased from 4 to 3.
- Standard 23436 was added to the elective section.
- The prerequisite diagram was corrected and updated.

For detailed information see [Review Summaries](#) on the NZQA website.

There are no transition consequences as a result of these changes.

This qualification contains standards that replace earlier standards. For the purposes of this qualification, people who have gained credit for the expiring standards are exempt from the requirement to gain credit for the replacement standards – see table below.

Credit for	Exempt from
5	24552
5059	21554
6252, 6253	23619
10892	21551
10898	21544
15189	19578
19043	24552

This qualification contains a rural contracting standard with similar content to standards from other sub-fields that are included in GROWSAFE® Applied Certificate training. For the purposes of this qualification people who have gained credit for the standard listed below are exempt from the requirement to gain credit for the equivalent rural contracting standard.

Credit for	Exempt from
21558	17232

People who hold a current dangerous goods (D) driver licence endorsement are exempt from the requirement for standard 16718 within the elective section, as specified below. They are required to pay the credit fee associated with the standard and must apply for the exemption through InfraTrain New Zealand, who will process the application and forward the results and fees to NZQA for processing. The exemption must be applied for on the application form in the Appendix.

Current Driver Licence	Exempt from
D (dangerous goods) endorsement	16718

This qualification contains a standard that has expired and been replaced by another standard. For the purposes of this qualification people who have gained credit for the replacement standard are exempt from the requirement to gain credit for the expired standard.

Credit for	Exempt from
27215	21564

It is the intention of InfraTrain New Zealand that these transition arrangements are fair, and do not disadvantage any existing candidate. Anyone who thinks that they have been disadvantaged by the transition process should, in the first instance, contact InfraTrain New Zealand at the address below.

Previous versions of the qualification

Version 4 was issued following review.

Changes to structure and content

Title and strand names were adjusted to reflect strand changes. Credits in the compulsory section were increased from 36 to 61. Minimum credits in the elective section were increased from 2 to 6. Standards 6401, 19578, 21544, and 21565 were added to the compulsory section. Standards 6243 and 6244 were removed from the compulsory section. Standard 21554 replaced standard 5059 in the compulsory section. Standard 21560 was substituted for standard 823, and standards 21563 and 21564 were substituted for standard 5060 in the compulsory section. Standard 24552 replaced standard 5 in the elective section. Standards 4 and 6258 were removed from the elective section. Standard 6400 was moved from the compulsory section to the elective section. Standards 6469, 17978, 20627, 20798, and 21551 were added to the elective section. Standard 23617 was added to the Brush strand. Standard 23619 replaced standards 6252 and 6253 in the Broadacre strand. Standard 23620 was added to the Broadacre strand. External Parasites strand was renamed 'Livestock External Parasites' strand and the level of the qualification with the strand was increased from 2 to 4. Total Vegetation Control strand: Credits were increased from 20 to 26 and the level of the qualification with the strand was increased from 2 to 4. Aquatic strand: Credits were increased from 20 to 26 and the level of the qualification with the strand was increased from 2 to 4. Broadacre strand: Credits were increased from 22 to 38 and the level of the qualification with the strand was increased from 3 to 4. Brush strand: Credits were increased from 6 to 12 and the level of the qualification with the strand was increased from 2 to 3. The Management strand, which included standards 6248, 6249, 6250, and 6251, was removed. Reverse transition arrangements were included for version 3 of the qualification.

Version 3 was issued to eliminate restrictions on achieving the earlier versions and to reflect current industry practice at the time.

Changes to structure and content – standards 16, 45, 497, 3461, 3462, 3463, 3471, 8489, 8490, and 8492 were removed from core compulsory. Standard 17232 was added to core compulsory. Standards 4, 5, 6255, and 6258 were moved from core compulsory to core elective. A new core elective section was added. Broadacre strand elective section was deleted and standards 6238, 6241, and 6242 moved to core elective. Standards 569, 582, and 597 removed from External Parasites strand. The Total Vegetation Control and Aquatic strands were separated. Standard 6236 was removed from Brush strand compulsory. Brush strand elective section was deleted. Management strand was added. Title of the qualification was changed to reflect amended strands and the addition of a new strand in Management.

Reverse transition exemptions for expired standards – added in August 2008.

Version 3 of this qualification contained standards that had been expired or replaced by other standards. For the purposes of this qualification people who have gained credit for the replacement standards are exempt from the requirement to gain credit for the expiring standards.

Credit for	Exempt from
21560	823
21563, 21564	5060
19561	6248

Version 2 was issued to reflect the Horticulture, Mathematics, Forestry, and Agriculture standard reviews.

NZQF Registration Information

Process	Version	Date	Last Date for Assessment
Registration	1	November 1996	March 2000
Revision	2	May 1998	March 2000
Review	3	March 2000	December 2011
Review	4	August 2008	N/A
Revision	5	June 2009	N/A
Republished	5	March 2016	N/A

Standard Setting Body

Infrastructure ITO (Connexis)
PO Box 2759
Wellington 6140

Telephone 04 499 9144
Email askus@connexis.org.nz
Website <http://www.connexis.org.nz>

Planned Review

Any person or organisation may contribute to the review of this qualification by sending feedback to the standard setting body at the above address.

Next Review	2013
-------------	------

Other standard setting bodies whose standards are included in the qualification

Agriculture Industry Training Organisation
New Zealand Horticulture Industry Training Organisation

NZQA
Tranzqual ITO

Certification

The certificate will display the logos of NZQA, Infrastructure ITO and the accredited organisation.

Classification

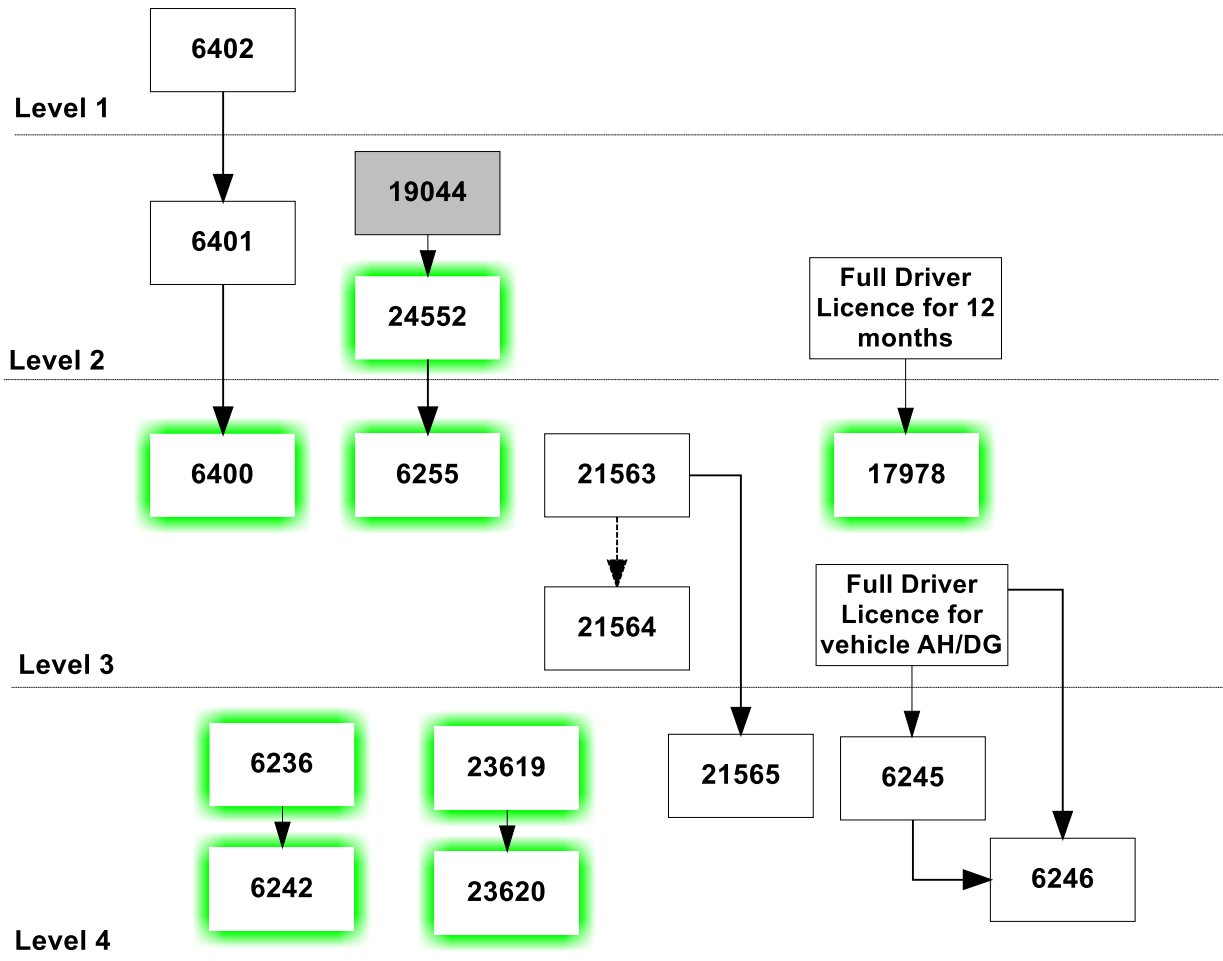
This qualification is classified according to the NQF classification system and the New Zealand Standard Classification of Education (NZSCED) system as specified below.

NQF Classification		NZSCED	
Code	Description	Code	Description
1061	Agriculture, Forestry and Fisheries > Rural Contracting > Agrichemical Application	059901	Agriculture, Environmental and Related Studies > Other Agriculture, Environmental and Related Studies > Pest and Weed Control

Quality Management Systems

Providers and Industry Training Organisations must be accredited by a recognised Quality Assurance Body before they can register credits from assessment against standards. Accredited providers and Industry Training Organisations assessing against standards must engage with the moderation system that applies to those standards. Accreditation requirements and the moderation system are outlined in the associated Accreditation and Moderation Action Plan (AMAP) for each standard.

Prerequisite Diagram



Key

- Not in qualification
- Elective in qualification
- ▶** Prerequisite
- ▶** Recommended

AH/DG Either approved handler test certificate under the HSNO Act or a Dangerous Goods (D) driver licence endorsement

Application Form for Exemptions

National Certificate in Agrichemical Application with strands in Aquatic, Broadacre, Brush, Livestock External Parasites, and Total Vegetation Control

To be completed by applicants and processed in the first instance through the applicant's accredited training provider or Industry Training Organisation (ITO).

Section A is to be completed by applicants

Section B is to be completed for any of the listed subjects where evidence is available that the applicant has passed the subject(s)

Section C must be signed by the accredited training provider or ITO to certify that the results recorded are correct

IN ALL CASES APPLICANTS MUST HAVE PAID THE NATIONAL QUALIFICATIONS REGISTRATION (HOOK ON) FEE (\$25.00) BEFORE THE APPLICATION CAN BE PROCESSED BY THE QUALIFICATIONS AUTHORITY. THE USUAL CREDIT FEE WILL APPLY AND MUST BE PAID BEFORE THE APPLICATION IS PROCESSED

Completed forms are to be sent to:
Tertiary Records
New Zealand Qualifications Authority
PO Box 160
Wellington 6140

Section A – Personal Details

PLEASE USE BLOCK LETTERS

<p>Surname (family name)</p> <input style="width: 95%; height: 25px;" type="text"/>	<p>First Names (given names). Enter all names in full</p> <input style="width: 95%; height: 25px;" type="text"/> <input style="width: 95%; height: 25px;" type="text"/>																				
<p>Record of Learning ID No.</p> <table style="width: 100%; border-collapse: collapse;"> <tr> <td style="border: 1px solid black; width: 20px; height: 20px;"></td> <td style="border: 1px solid black; width: 20px; height: 20px;"></td> <td style="border: 1px solid black; width: 20px; height: 20px;"></td> <td style="border: 1px solid black; width: 20px; height: 20px;"></td> <td style="border: 1px solid black; width: 20px; height: 20px;"></td> <td style="border: 1px solid black; width: 20px; height: 20px;"></td> <td style="border: 1px solid black; width: 20px; height: 20px;"></td> <td style="border: 1px solid black; width: 20px; height: 20px;"></td> <td style="border: 1px solid black; width: 20px; height: 20px;"></td> <td style="border: 1px solid black; width: 20px; height: 20px;"></td> </tr> </table>											<p>Date of Birth</p> <table style="display: inline-table; border-collapse: collapse;"> <tr> <td style="border: 1px solid black; width: 20px; height: 20px;"></td> <td style="border: 1px solid black; width: 20px; height: 20px;"></td> <td style="padding: 0 10px;">20</td> <td style="border: 1px solid black; width: 20px; height: 20px;"></td> <td style="border: 1px solid black; width: 20px; height: 20px;"></td> </tr> <tr> <td style="text-align: center;">Day</td> <td style="text-align: center;">Month</td> <td></td> <td style="text-align: center;">Year</td> <td></td> </tr> </table>			20			Day	Month		Year	
		20																			
Day	Month		Year																		
<p>Institution which is processing the application:</p>	<input style="width: 95%; height: 25px;" type="text"/>																				

Section B – Confirmation

AN APPROPRIATELY RESPONSIBLE PERSON AT THE ACCREDITED TRAINING PROVIDER OR ITO MUST SIGHT ORIGINALS.

Candidates for this qualification may claim exemptions as specified below.

Holders of a New Zealand	Exempt from	Date of Issue
D (dangerous goods) endorsement	16718	

Section C – Declaration by Accredited Provider/Industry Training Organisation

This is to certify that the original(s) in Section B have been sighted.

SIGNED BY PROVIDER/ITO: _____

NAME (please print): _____

DESIGNATION: _____

DATE: _____